

REVISION DATA				
S/N	ECN	DESCRIPTION	DATE	APPROVED

Technical Data

Material:

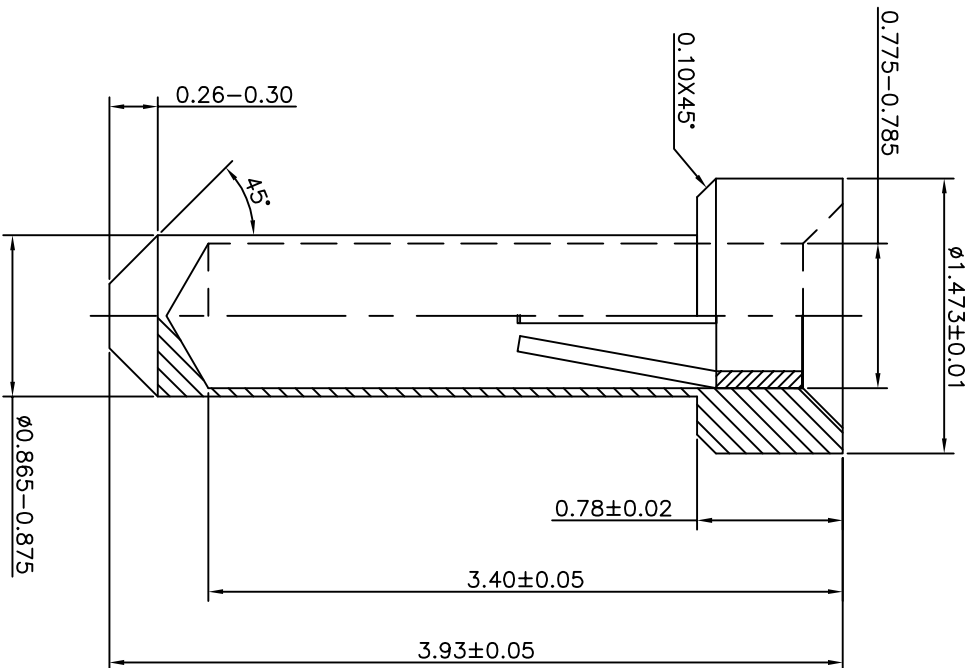
Pin(outer sleeve): Brass,machined CuZn38Pb2
 Clip(contact 4/6 finger): Beryllium Copper,heat treated
 Plating(outer sleeve):
 Tin plated:2 μ m/80 μ "Ni, 5 μ m/200 μ "Sn
 Gold Plated:2 μ m/80 μ "Ni,Full gold
 Plating(contact): 2mm/80m"Ni, gold or Tin plated

Electrical

Current rating:3Amps/contact max.
 Contact resistance: \leq 4m Ω /contact

Mechanical:

Average insertion force with steel pin of
 \varnothing 0.46mm/0.18": 6 finger <40g
 Average withdrawal force with steel pin of
 \varnothing 0.46mm/0.18": 6 finger >15g min.
 Mechanical life cycle:min.200



natconn 深圳市纳特康电子有限公司		SHENZHEN NATCONN ELECTRONIC CO.,LTD	
TOLERANCE:		TITLE:	
ANGLE $\pm 5^\circ$	PROJECTION	$\varnothing 0.78mm/1.3, 93mm$ Screw Machined Pin	
X.XXX ± 0.05	DATE	05-02-19	
X.XX ± 0.10	DRAWN	JORAN	PART NO: PNC0393AXXXX
X.X ± 0.15	CHECKED		DRAWING NO: NPT-PNC0393A
X. ± 0.20	APPROVED		REV: A UNIT: mm SCALE: 25:1 SIZE: A4